



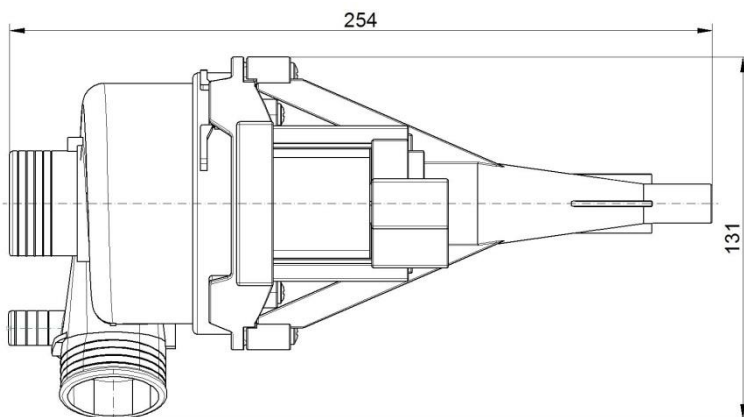
HANNING

moving ■■■ ideas

haflowtic CPO 35 data sheet



Technical data



Description	Specification
Voltage	220-240 V
Frequency	50 Hz
Overheating protection	Thermal cut-off
Degree of protection	IP00
Ambient temperature up to 60° C	Higher on request
Insulation class	F
Phase	1~
Life time	Depends on application and medium to be pumped
Medium ph-level	7 (4-11 with PP) to be tested in the application
Pump housing	Plastic PP glas fibre or mineral reinforced
Impeller	PP glas fibre reinforced
Sealing rubbers Mechanical seal	On request
Connection (customizable)	6,3 x 0,8 mm, spade terminals
Approvals	On request (VDE, UL, CSA, CCC)
Outer diameter in/outlet	38/38 mm (other on request)

