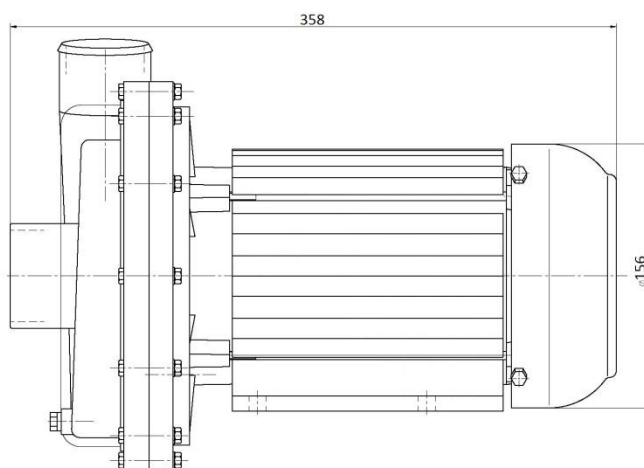


haflowtic PS 80 data sheet



Technical data



Description	Specification
Voltage	200 V/220–240 V/380–415 V
Frequency	50 (60 Hz on request)
Thermal protector	1~ internal/ 3~ on request
Degree of protection	IP54
Ambient temperature up to 60° C	Higher on request
Insulation class	F
Phase	3 ~
Life time	Depends on application and medium to be pumped
Medium ph-level	To be tested in the application
Pump housing	Plastic PA glas fibre reinforced
Impeller	Plastic PA glas fibre reinforced
Sealing rubbers Mechanical seal	On request
Connection (customizable)	Terminal box, wire
Capacitor (customizable)	
Approvals	On request (VDE, UL, CSA)
Draining nozzle	Optional
Inner diameter in/outlet	54/46 mm

