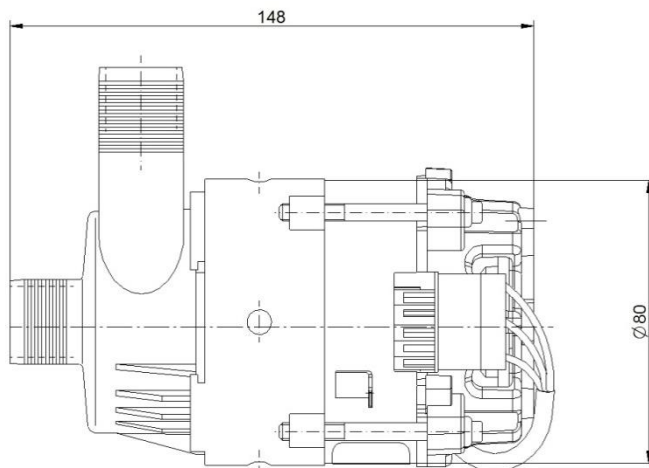


haflowtic UP 30 data sheet

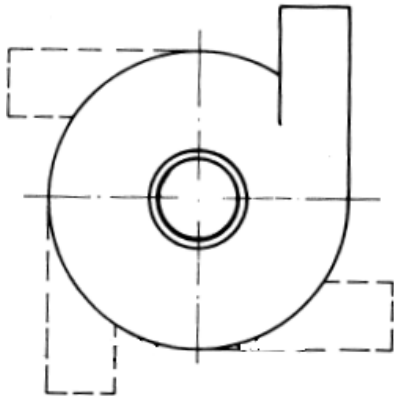


Technical data

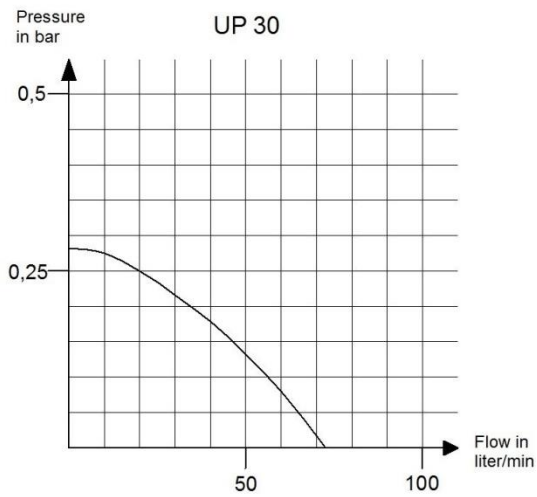


Description	Specification
Voltage	200–240 V
Frequency	50 (60 Hz on request)
Thermal protector	1~ internal/ 3~ on request
Degree of protection	IP00 (IP55 on request)
Ambient temperature up to 60°C	Higher on request
Insulation class	F
Phase	1~
Life time	Depends on application and medium to be pumped
Medium ph-level	7 (3-11 with PP) to be tested in the application
Pump housing	Plastic PP glas fibre or mineral reinforced
Impeller	Plastic PP glas fibre or mineral reinforced
Sealing rubbers Mechanical seal	On request
Connection (customizable)	6,3 x 0,8 mm, connector, wire
Capacitor (customizable)	Optional
Approvals	On request (VDE, UL, CSA)
Draining nozzle	Optional
Inner diameter in/outlet	20/20 mm

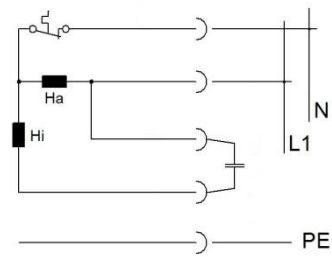
Direction of rotation



Curve



Connection scheme (example)



Notes

